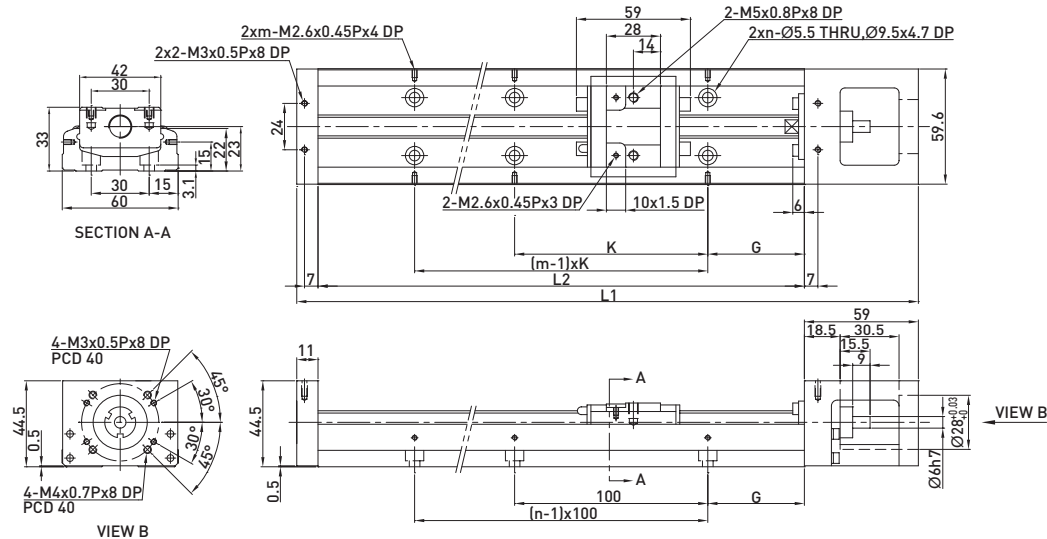
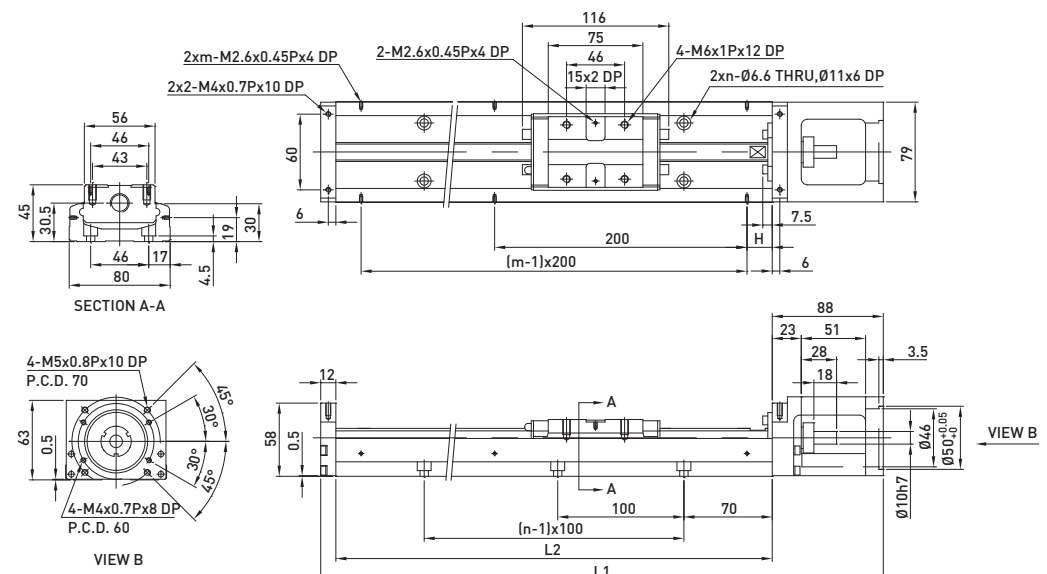


**KK60 (Light Duty)**



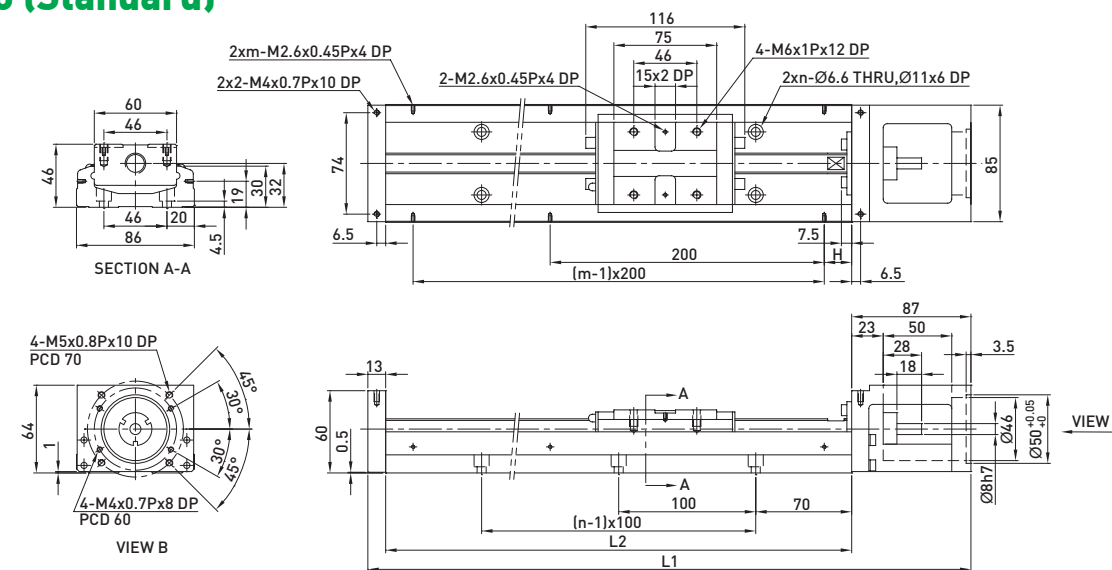
Rail Length L2 (mm)	Total Length L1 (mm)	Maximum Stroke (mm)		G (mm)	K (mm)	n	m	Mass (kg)	
		S1 Block	S2 Block					S1 Block	S2 Block
150	220	85	34	25	100	2	2	1.4	1.6
200	270	135	84	50	100	2	2	1.7	1.9
300	370	235	184	50	200	3	2	2.3	2.5
400	470	335	284	50	100	4	4	2.9	3.1
500	570	435	384	50	200	5	3	3.5	3.7
600	670	535	484	50	100	6	6	4.1	4.3

**KK80**



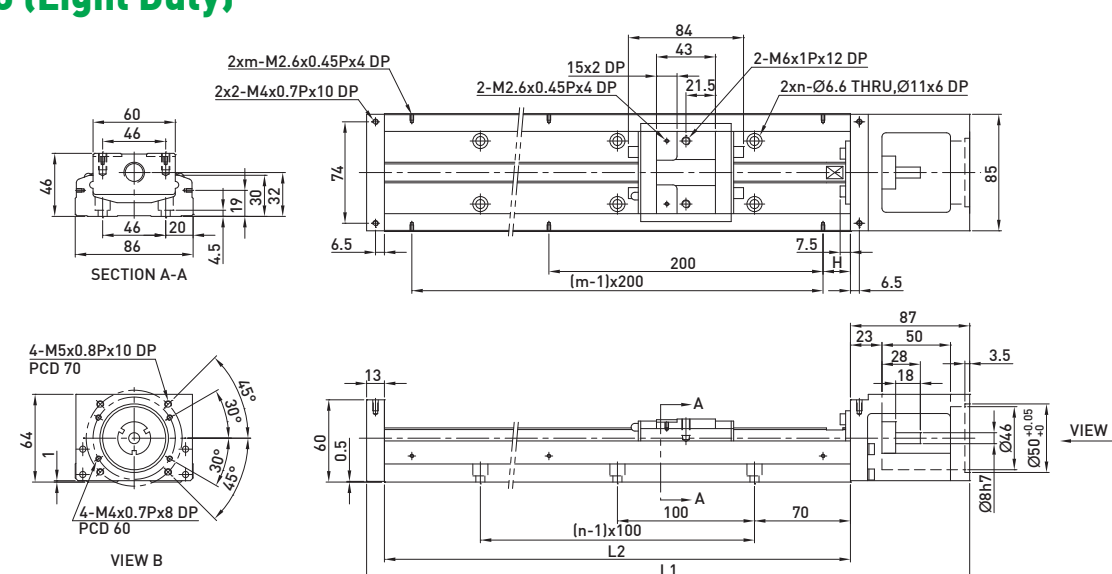
Rail Length L2 (mm)	Total Length L1 (mm)	Maximum Stroke (mm)		H (mm)	n	m	Mass (kg)	
		S1 Block	S2 Block				S1 Block	S2 Block
340	440	216.5	108.5	70	3	2	5.3	6
440	540	316.5	208.5	20	4	3	6.5	7.2
540	640	416.5	308.5	70	5	3	7.6	8.3
640	740	516.5	408.5	20	6	4	8.8	9.5
740	840	616.5	508.5	70	7	4	10	10.7
940	1040	816.5	708.5	70	9	5	12.4	13.1

**KK86 (Standard)**



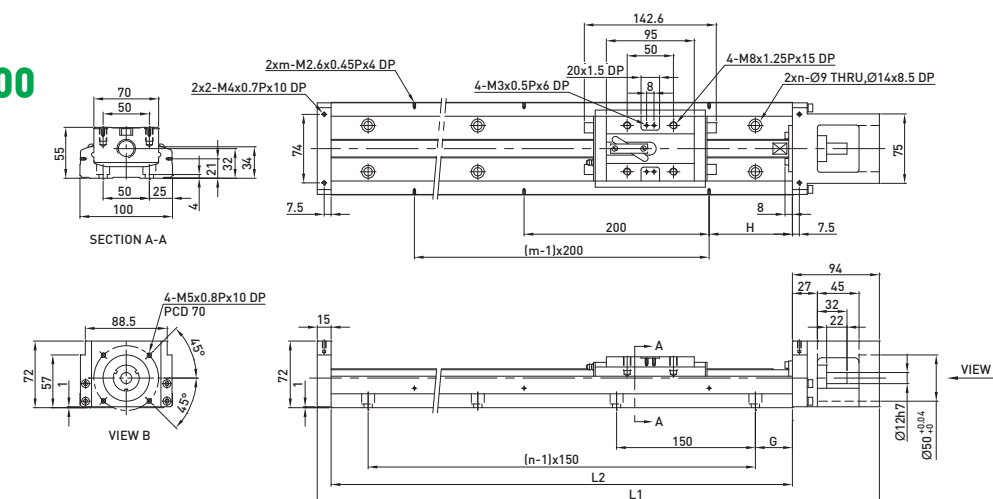
Rail Length L2 (mm)	Total Length L1 (mm)	Maximum Stroke (mm)		H (mm)	n	m	Mass (kg)	
		A1 Block	A2 Block				A1 Block	A2 Block
340	440	210	100	70	3	2	5.7	6.5
440	540	310	200	20	4	3	6.9	7.7
540	640	410	300	70	5	3	8.0	8.8
640	740	510	400	20	6	4	9.2	10.0
740	840	610	500	70	7	4	10.4	11.2
940	1040	810	700	70	9	5	11.6	12.4

**KK86 (Light Duty)**



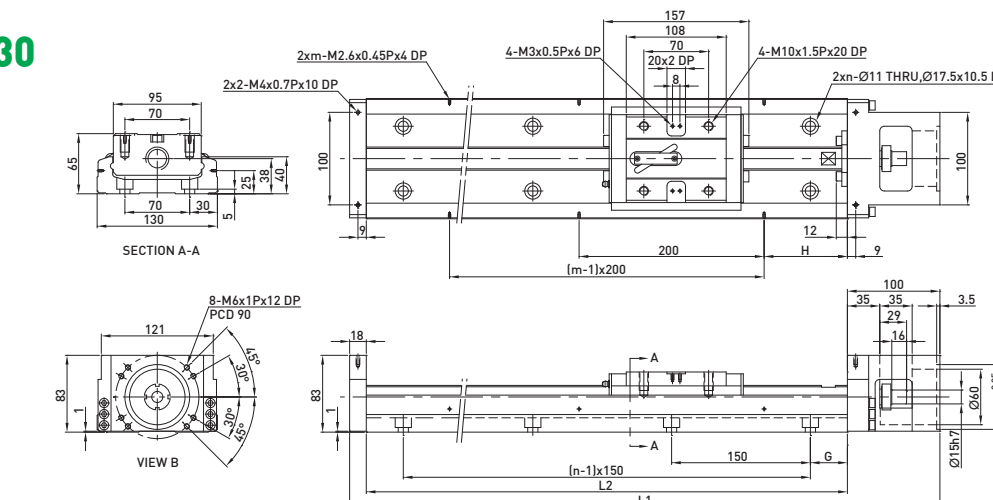
Rail Length L2 (mm)	Total Length L1 (mm)	Maximum Stroke (mm)		H (mm)	n	m	Mass (kg)	
		S1 Block	S2 Block				S1 Block	S2 Block
340	440	246	170	70	3	2	5.4	5.9
440	540	346	270	20	4	3	6.6	7.1
540	640	446	370	70	5	3	7.7	8.2
640	740	546	470	20	6	4	8.9	9.4
740	840	646	570	70	7	4	10.1	10.6
940	1040	846	770	70	9	5	11.3	11.8

**KK100**



Rail Length L2 (mm)	Total Length L1 (mm)	Maximum Stroke (mm)		G (mm)	H (mm)	n	m	Mass (kg)	
		A1 Block	A2 Block					A1 Block	A2 Block
980	1089	828	700	40	90	7	5	18.6	20.3
1080	1189	928	800	15	40	8	6	20.3	22.0
1180	1289	1028	900	65	90	8	6	22.0	23.7
1280	1389	1128	1000	40	40	9	7	23.6	25.3
1380	1489	1228	1100	15	90	10	7	25.3	27.0

**KK130**



Rail Length L2 (mm)	Total Length L1 (mm)	Maximum Stroke (mm)		G (mm)	H (mm)	n	m	Mass (kg)	
		A1 Block	A2 Block					A1 Block	A2 Block
980	1098	811	659	40	90	7	5	29.4	32.3
1180	1298	1011	859	65	90	8	6	34.3	37.2
1380	1498	1211	1059	90	90	9	7	39.2	42.1
1680	1798	1511	1359	90	40	11	9	46.5	49.4

**HIWIN**  
Motion Control and System Technology

**HIWIN TECHNOLOGIES CORP.**

No. 7, Jingke Road,  
Taichung Precision Machinery Park  
Taichung 40852, Taiwan  
Tel: +886-4-23594510  
Fax: +886-4-23594420  
www.hiwin.tw  
business@hiwin.tw

**HIWIN MIKROSYSTEM CORP.**

No. 6, Jingke Central Rd.,  
Taichung Precision Machinery Park,  
Taichung 40852, Taiwan  
Tel: +886-4-23550110  
Fax: +886-4-23550123  
www.hiwinmikro.tw  
business@hiwinmikro.tw

**Subsidiaries & R&D Centers**

**HIWIN GmbH**  
OFFENBURG, GERMANY  
www.hiwin.de  
www.hiwin.eu  
info@hiwin.de

**HIWIN JAPAN**  
KOBE - TOKYO - NAGOYA - NAGANO -  
TOHOKU - HOKURIKU - HIRAGHIMA -  
KUMAMOTO - FUKUOKA, JAPAN  
www.hiwin.co.jp  
info@hiwin.co.jp

**HIWIN USA**  
CHICAGO - SILICON VALLEY, U.S.A.  
www.hiwin.com  
info@hiwin.com

**HIWIN Srl**  
BRUGHERIO, ITALY  
www.hiwin.it  
info@hiwin.it

**HIWIN SCHWEIZ**  
JONA, SWITZERLAND  
www.hiwin.ch  
info@hiwin.ch

**HIWIN FRANCE**  
ECHAUFFOUR, FRANCE  
www.hiwin.fr  
info@hiwin.fr

**HIWIN s.r.o.**  
BRNO, CZECH REPUBLIC  
www.hiwin.cz  
info@hiwin.cz

**HIWIN SINGAPORE**  
SINGAPORE  
www.hiwin.sg  
info@hiwin.sg

**HIWIN KOREA**  
SUWON, KOREA  
www.hiwin.kr  
info@hiwin.kr

**HIWIN CHINA**  
SUZHOU, CHINA  
www.hiwin.cn  
info@hiwin.cn

**Mega-Fabs Motion System, Ltd.**  
HAIFA, ISRAEL  
www.mega-fabs.com  
info@mega-fabs.com

The specifications in this catalog are subject to change without notification.

©2017 FORM K02D101-1709  
(PRINTED IN ITALY)

# Single Axis Robot

## KK series

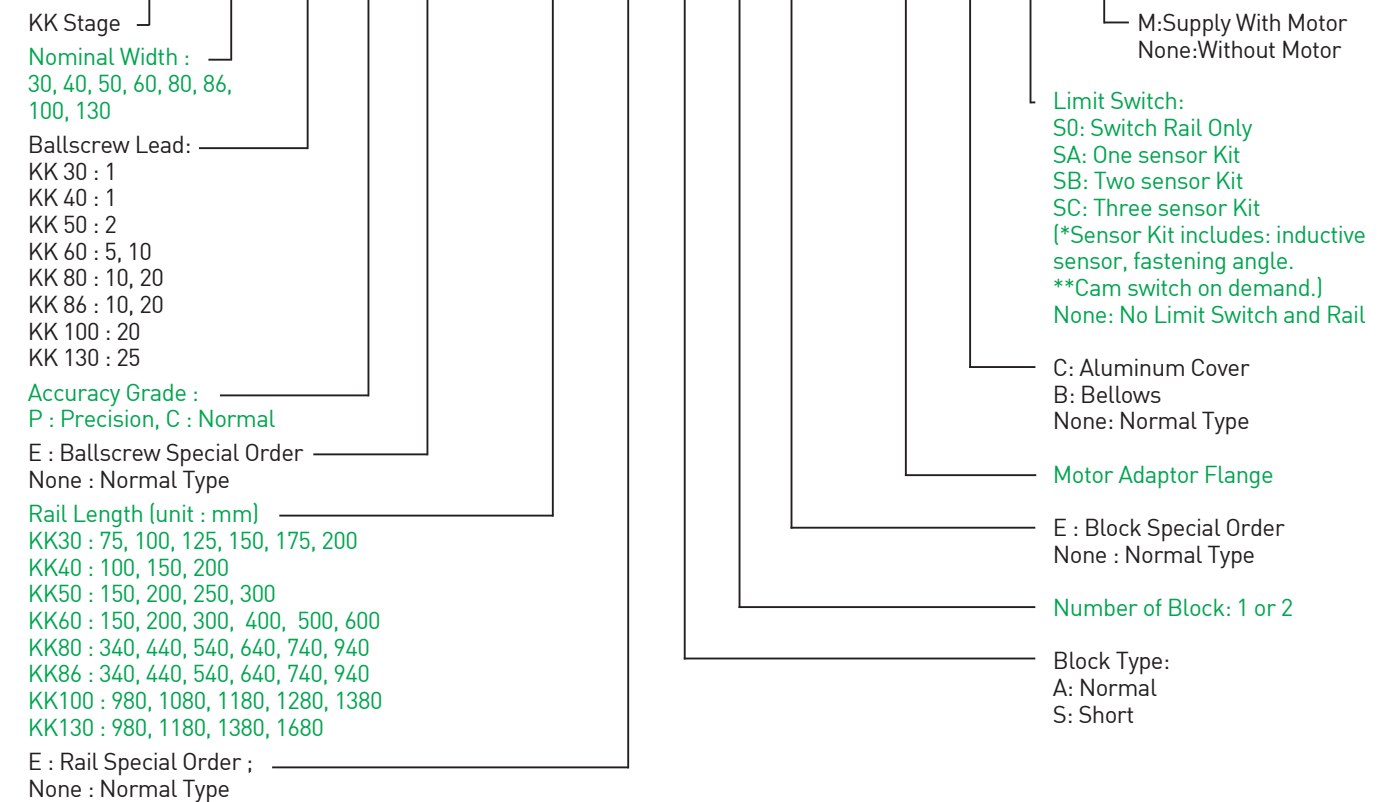
HIWIN KK single axis robot modularizes both ballscrew and guideway to achieve better performance on accuracy, stiffness and speed.

With the block of KK driven by ballscrew and sliding on the optimized U-rail, greater stiffness and high accuracy are therefore performed.



Model Number

KK 60 10 P E - 400 E A 2 E - F0 C S0 M



Specifications

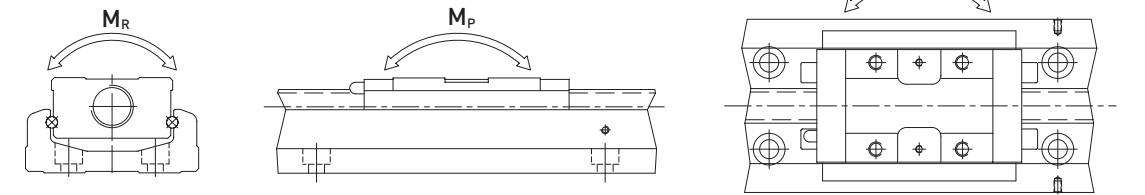


Table with columns: Model No., Ballscrew (Nominal Diameter, Lead, Basic Dynamic/Static Load), Guideway (Static Rated Moment), and various load ratings (Block A, S, A1, A2, S1, S2).

Accuracy Grade

Table showing Accuracy Grade for models KK30, KK40, KK50, KK60, KK80/86, KK100, and KK130. Columns include Model, Rail Length, Repeatability (Precision/Normal), Accuracy (Precision/Normal), Running Parallelism (Precision/Normal), and Starting Torque (Precision/Normal).

Maximum Speed Limit

Table showing Maximum Speed Limit for models KK30, KK40, KK50, KK60, and KK80/86. Columns include Model, Ballscrew Lead, Rail Length, and Speed (Precision/Normal).

Table showing dimensions for models KK80/86, KK100, and KK130. Columns include Model, Rail Length, and various length dimensions.

Dimension Without cover

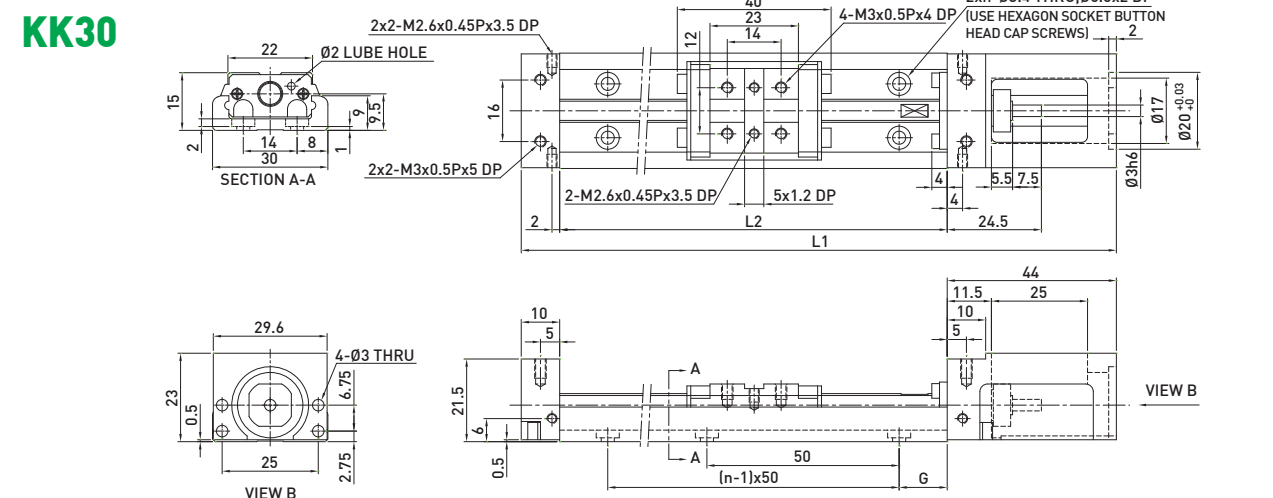


Table showing dimensions for models KK30, KK40, KK50, and KK60. Columns include Rail Length L2, Total Length L1, Maximum Stroke (A1/A2 Block), G, n, and Mass (A1/A2 Block).

KK40

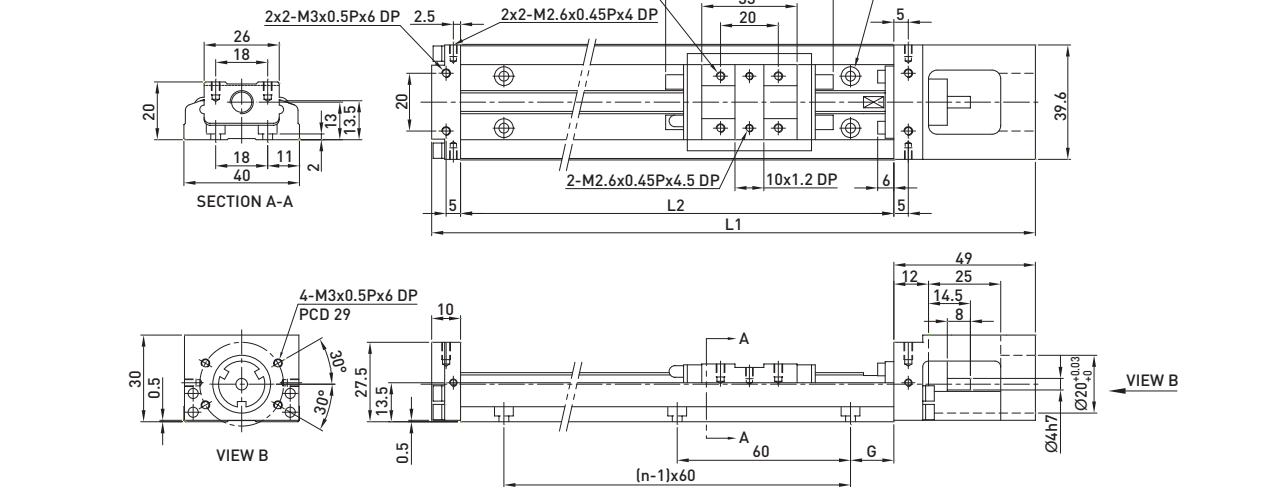


Table showing dimensions for models KK40, KK50, and KK60. Columns include Rail Length L2, Total Length L1, Maximum Stroke (A1/A2 Block), G, n, and Mass (A1/A2 Block).

KK50

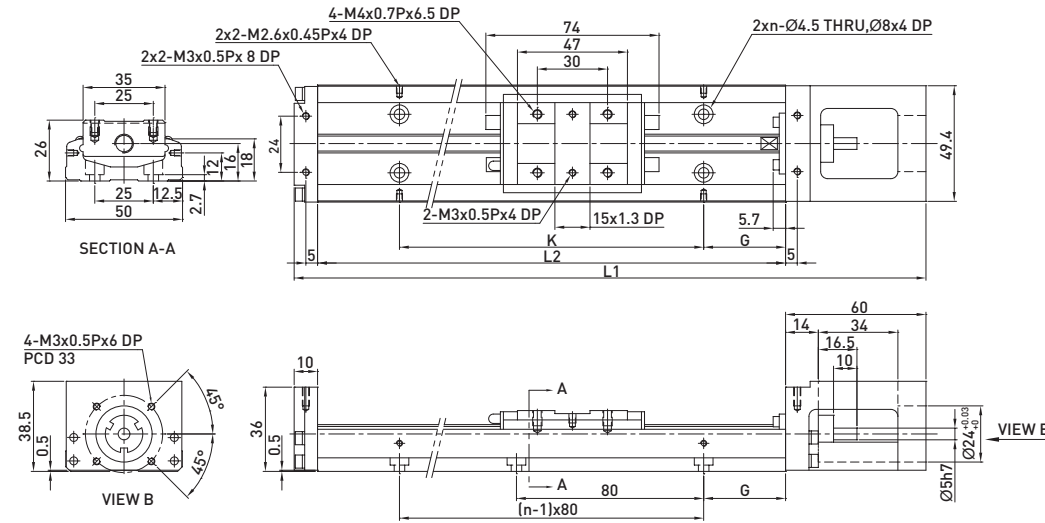


Table showing dimensions for models KK50, KK60, and KK80/86. Columns include Rail Length L2, Total Length L1, Maximum Stroke (A1/A2 Block), G, K, n, and Mass (A1/A2 Block).

KK60 (Standard)

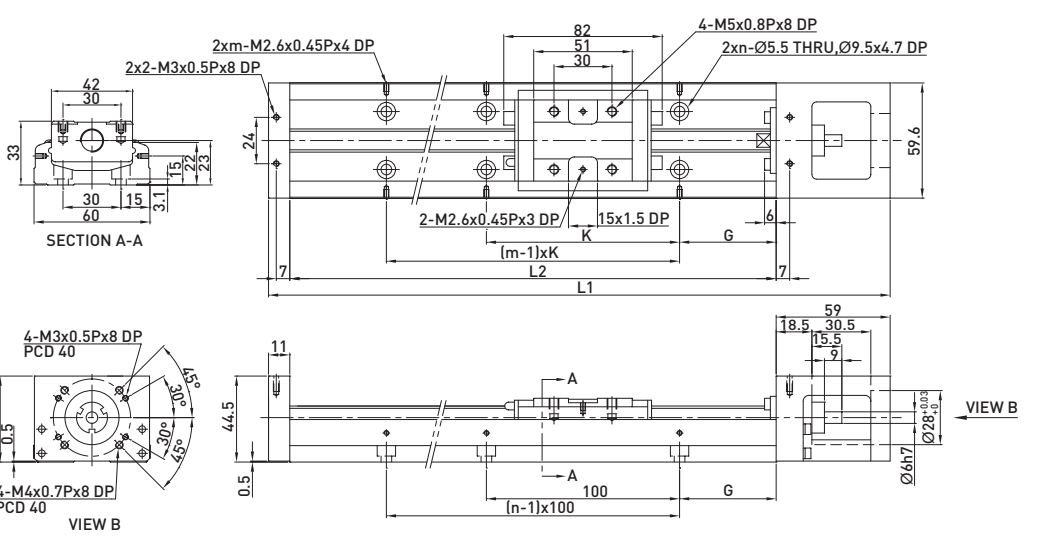


Table showing dimensions for models KK60, KK80, and KK100. Columns include Rail Length L2, Total Length L1, Maximum Stroke (A1/A2 Block), G, K, n, m, and Mass (A1/A2 Block).